

DEIMOS 700

DEIMOS 700 P925196 00001



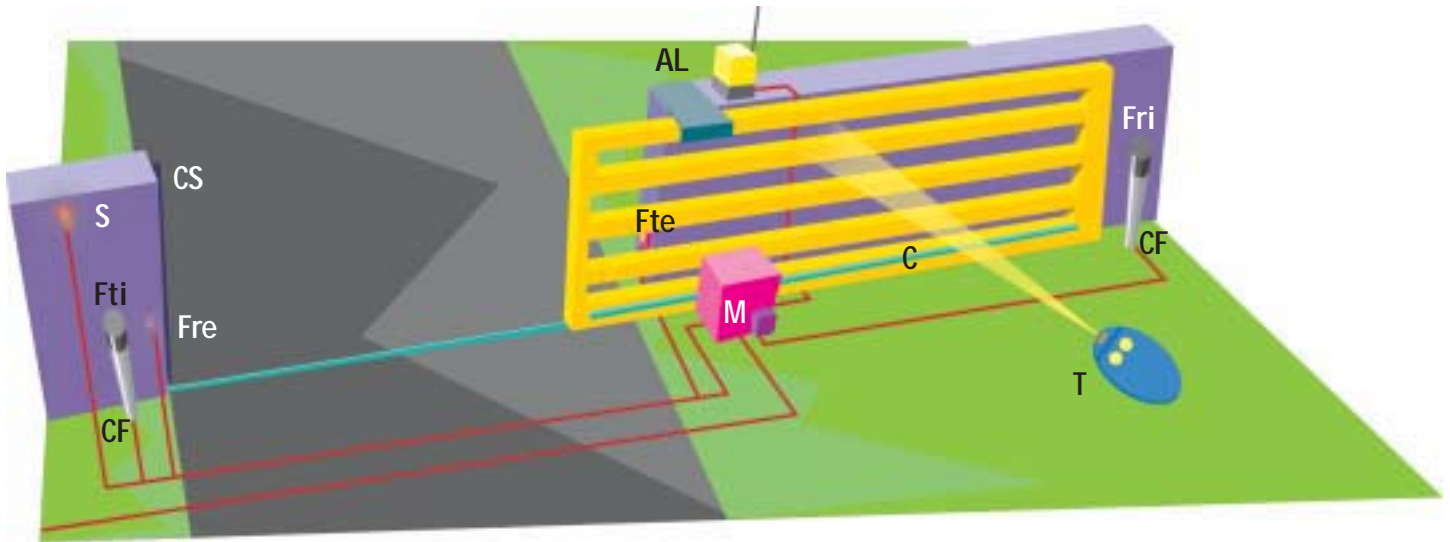
Incorporated control board:
ALPHA

- **Versatile and functional thanks** to the lowered position of the pinion and compactness of the operator, the DEIMOS SR irreversible gearmotor is particularly suitable for residential type installations.
- **Design and practicality:** great aesthetic innovation and improved casing solidity.
- **Anti-squash safety provided** by the adjustable mechanical clutch.
- **Safe and simplified release manoeuvre** by means of the new ergonomic knob.
- **Easier access to the control panel** provided by the control board located on the front.
- Control panel prearranged for the EELink protocol.
- Available in the **inductive limit switch version** (by using the FCM KIT)



Operator	DEIMOS 700
Single-phase power supply	230 V \pm 10%, 50 Hz
Absorbed power	290 W
Thermal protection	integrated
Max. leaf weight	7000 N (~700 Kg)
Output revolutions	48 min ⁻¹
Pinion pitch	4 mm (14 teeth)
Leaf speed	8.5 m/min
Impact reaction	mechanical clutch
Manual manoeuvre	mechanical release through special knob
No. manoeuvres in 24 hours	100
Control panel	ALPHA
Type of limit device	electromechanical or inductive
Environmental conditions	from -15°C to +60°C
Degree of protection	IP24
Operator weight	15 kg
Dimensions	see drawing

Electromechanical automation for rack sliding gates weighing up to 700 Kg, residential and industrial use

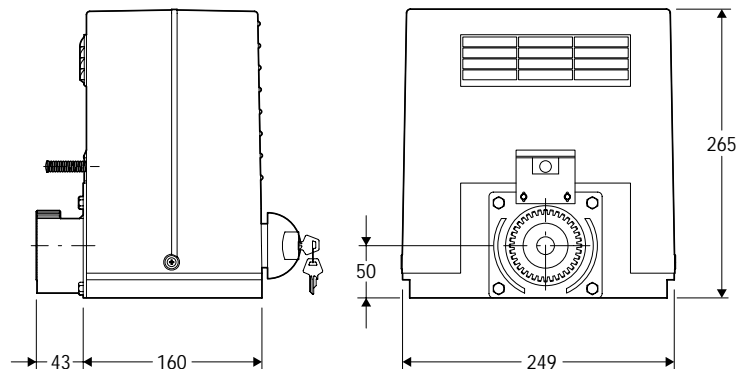


Example of installation

- M operator DEIMOS 700 with built-in control panel and rolling code receiver
- T double-channel rolling code transmitter, Mitto 2 12V
- Ftx-Frx pair of photocells, Cellula130
- CF pair of photocell posts, CC130
- AL blinker with antenna
- S key selector, Intro
- C rack in galvanised iron, CFZ
- CS safety edge

• For system layout and installation conditions, refer to the standards and laws in force in the country of installation

Dimensions



Main characteristics

Irreversible type electromechanical operator for the automation of sliding gates for residential and industrial use • DEIMOS 700 is fitted with an ALPHA front control card with an extractable terminal strip and autodiagnostic LED • integrated double-channel rolling-code receiver • pedestrian opening • 3/4 step logic release knob • mechanical torque force setting • Main specifications: supply 230 V ± 10% 50Hz • power 290W • leaf speed 8.5m/min • max leaf weight 7000N.

