

# DEIMOS SR



Incorporated control board:  
ALPHA (page 68)

Only available as a kit: DEIMOS KIT  
(page 83)

- **Versatile and functional thanks** to the lowered position of the pinion and compactness of the operator, the DEIMOS SR irreversible gearmotor is particularly suitable for residential type installations.
- **Design and practicality:** great aesthetic innovation and improved casing solidity.
- **Anti-squash safety provided** by the adjustable mechanical clutch.
- **Safe and simplified release manoeuvre** by means of the new ergonomic knob.
- **Easier access to the control panel** provided by the control board located on the front.
- Control panel prearranged for the EELink protocol.
- **Available in the inductive limit switch version** (by using the FCM KIT)

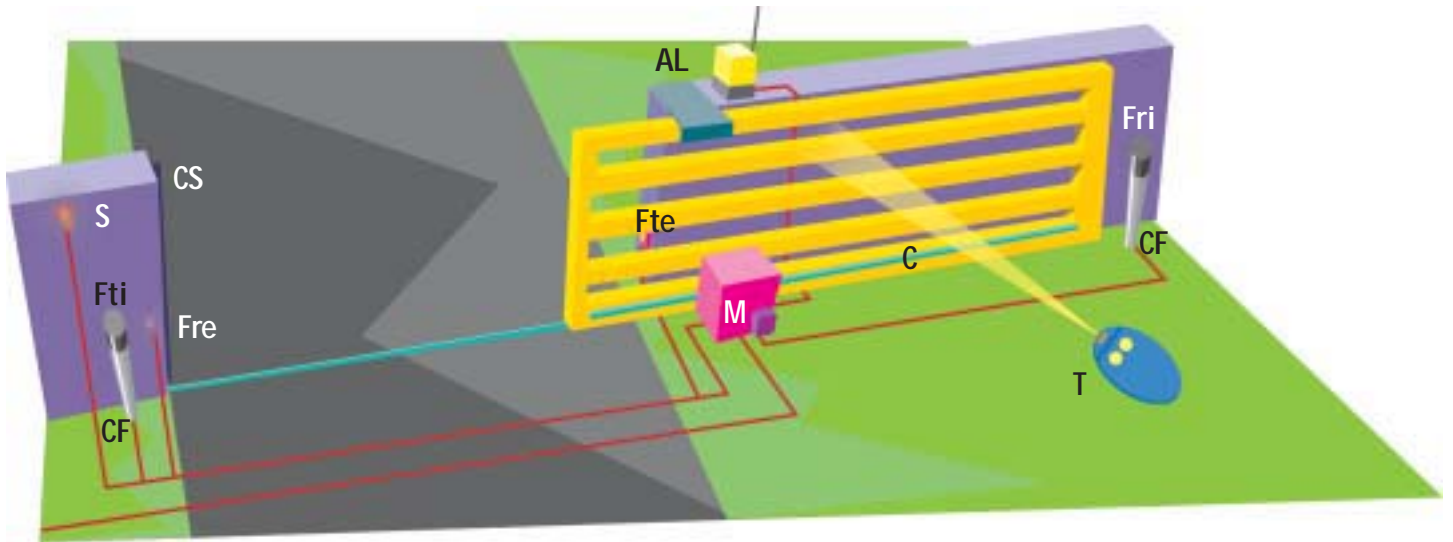


## Operator

## DEIMOS SR

|                            |   |
|----------------------------|---|
| Single-phase power supply  | 230 V $\pm$ 10%, 50 Hz                  |
| Absorbed power             | 290 W                                   |
| Thermal protection         | integrated                              |
| Max. leaf weight           | 5000 N (~500 Kg)                        |
| Output revolutions         | 48 min <sup>-1</sup>                    |
| Pinion pitch               | 4 mm (14 teeth)                         |
| Leaf speed                 | 8.5 m/min                               |
| Impact reaction            | mechanical clutch                       |
| Manual manoeuvre           | mechanical release through special knob |
| No. manoeuvres in 24 hours | 100                                     |
| Control panel              | ALPHA                                   |
| Type of limit device       | electromechanical or inductive          |
| Environmental conditions   | from -15°C to +60°C                     |
| Degree of protection       | IP24                                    |
| Operator weight            | 15 kg                                   |
| Dimensions                 | see drawing                             |

# Electromechanical automation for rack sliding gates weighing up to 500 Kg, residential use

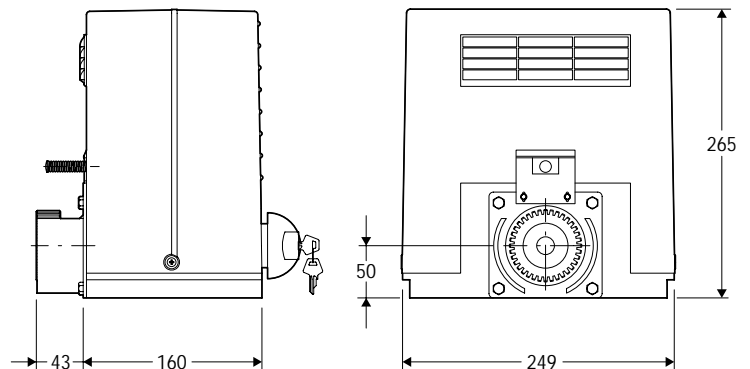


## Example of installation

- M operator DEIMOS with built-in control panel and rolling code receiver
- T double-channel rolling code transmitter, Mitto 2 12V
- Ftx-Frx pair of photocells, Cellula130
- CF pair of photocell posts, CC130
- AL blinker with antenna
- S key selector, Intro
- C rack in galvanised iron, CFZ
- CS safety edge

• For system layout and installation conditions, refer to the standards and laws in force in the country of installation

## Dimensions



## Main characteristics

- Irreversible type electromechanical operator for the automation of sliding gates for residential use
- DEIMOS SR is provided with a control board placed at the front of the motor
  - integrated double-channel rolling-code receiver
  - removable terminal bar and self-diagnosis LED
  - release knob
  - mechanical torque force setting
  - Main specifications: supply 230 V  $\pm$  10% 50Hz
  - power 290W
  - leaf speed 8.5m/min
  - max leaf weight 5000N.

