

E5

E5 P930003 00001
E5-S P930016 00001

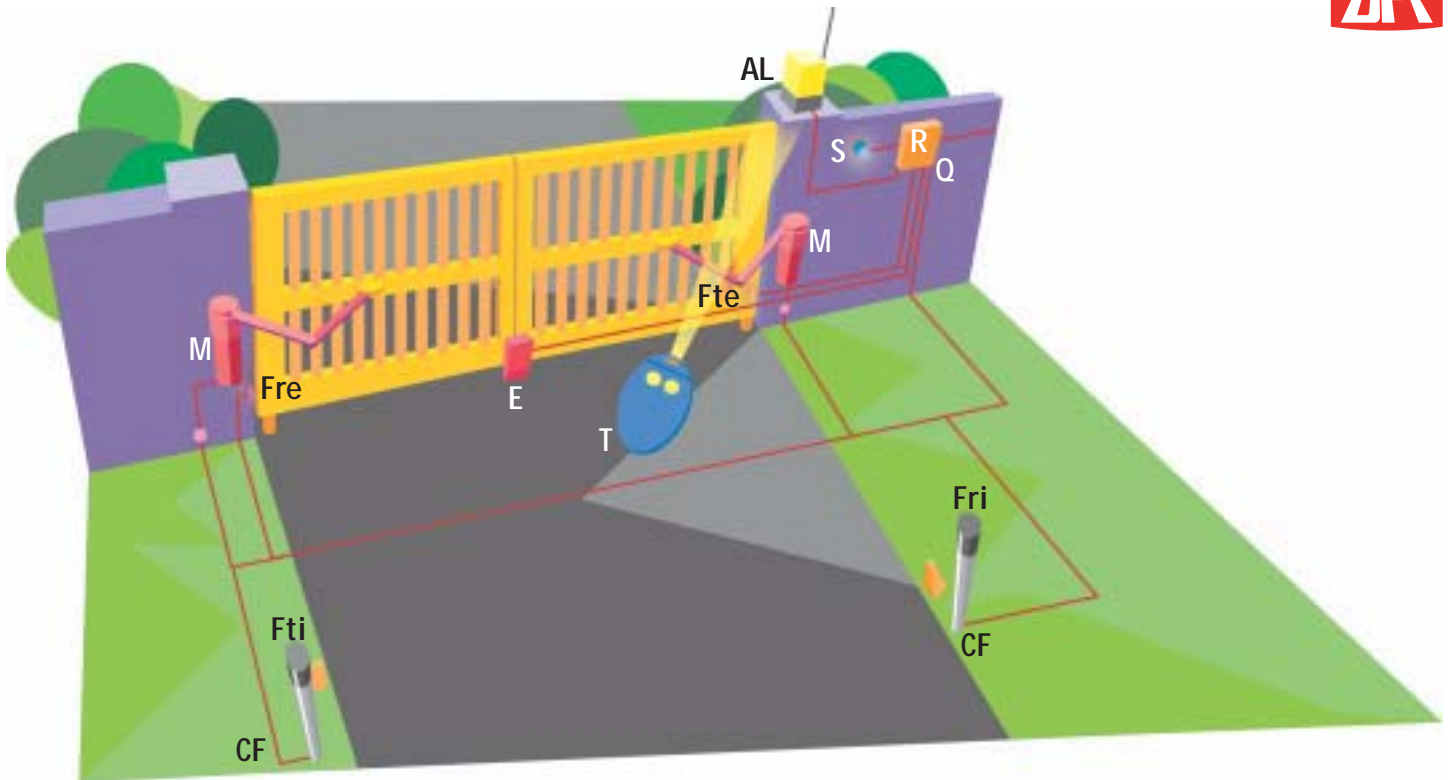
Recommended control panel:
ALCOR SD

- **Maximum simplicity, minimum overall dimensions** with E5, the reversible compact electromechanical operator.
- **Great installation flexibility**, the articulated arm facilitates installation on medium-sized pillars.
- **Antisquash safety** provided by the multiple-disk clutch.



Operators	E5	E5-S
Single-phase power supply	230V~ ± 10%, 50 Hz	230V~ ± 10%, 50 Hz
Absorbed power	200 W	200 W
Thermal protection	integrated	integrated
Max leaf weight	2000N (~200 kg)	1000N (~100 kg)
Max leaf length	1.80 m	1.60 m
Rotation speed	6°/s	6°/s
Impact reaction	mechanical clutch	mechanical clutch
Type of lock	electric lock	electric lock
Manual manoeuvre	reversible actuator	reversible actuator
Number of manoeuvres in 24 hours	50	50
Environmental conditions	from -10° to +60°C	from -10° to +60°C
Degree of protection	IP 44	IP 44
Operator weight	80 N (~8 kg)	80 N (~8 kg)
Dimensions	see drawing	see drawing

Electromechanical operator for swing gates, leaf length up to 1,80 m, leaf weight up to 200 kg, residential use

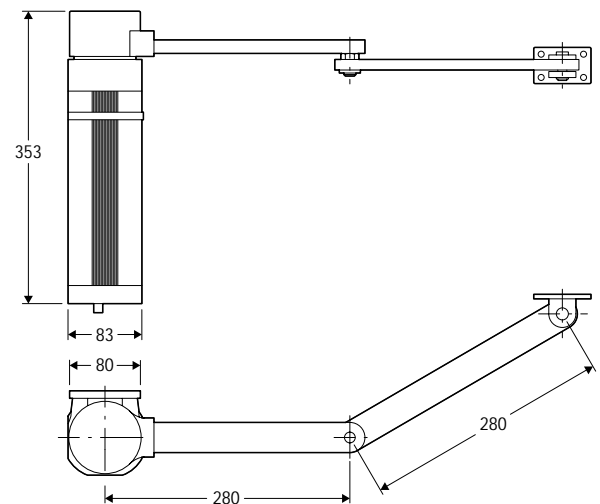


Example of installation

M reversible operators E5
 Q control panel ALCOR SD
 R single-channel rolling-code receiver, suitable for Mitto transmitter
 T double-channel rolling-code transmitter, Mitto 2 12V
 E electric lock EBP
 Ftx-Frx Pair of photocells Cellula130
 CF Pair of posts CC130
 AL blinker with antenna
 S key selector, Intro

• For system layout and installation conditions, refer to the standards and laws in force in the country of installation.

Dimensions



Main characteristics

Reversible type electromechanical operator for the automation of swing leaf gates for residential use • E5 is provided with an articulated arm • mechanical clutch limiter • recommended control panel: ALCOR SD • Main specifications: supply 230 V \pm 10%, 50Hz • power 200W • speed 6 degrees/sec • maximum torque 300Nm • max leaf weight 2000N (~200 kg) • max leaf length 1800mm.