

ELI 250

ELI 250 P930114 00001
ELI 250-V P930114 00003



Recommended control panel:
ALTAIR

- **Maximum operation versatility** with ELI 250, the electromechanical operator for installations under the hinge pivot, ideal for gates having artistic value.
- **The irreversible operator** is able to keep the leaf locked on closing and on opening.
- The leaves can be released thanks to **the appropriate key mechanism**.
- **End of stroke controlled by backstops** placed inside the foundation case.
- **Easy maintenance:** the foundation case allows the actuator to be removed without disassembling the gate leaf; moreover, the new BTCF 120 version is supplied with a set of arms which make it possible to open the leaf by 120° and recover errors up to 10° in the foundation case installation.
- **Stainless steel case** upon request.
- Available in **two versions and two speeds**.

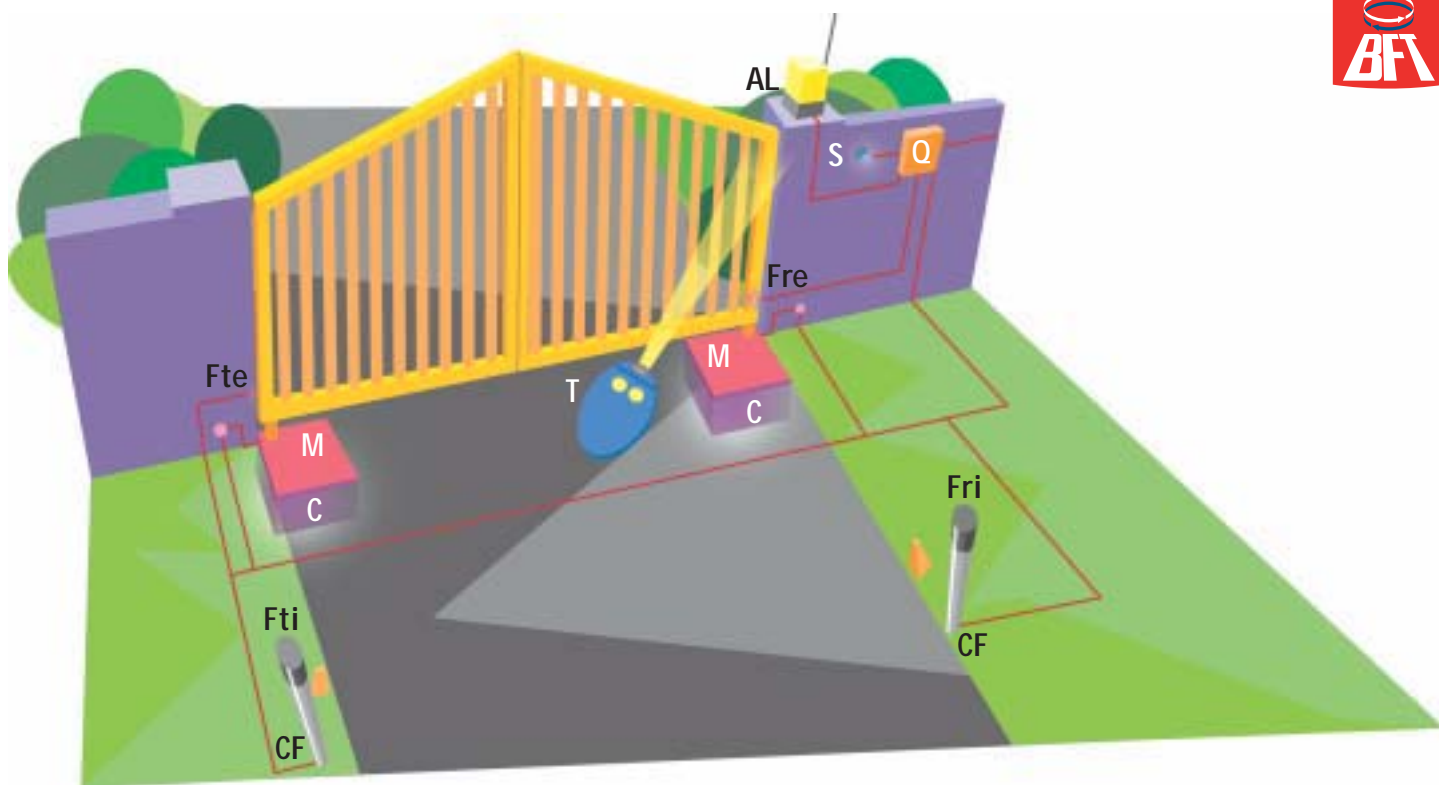


ELI 250 + BTCF 120 + CFE

Operators	ELI 250	ELI 250-V
Single-phase power supply	230V- ± 10%, 50Hz	230V- ± 10%, 50Hz
Absorbed power	280 W	280 W
Thermal protection	integrated	integrated
Leaf length/weight	2.50 m/3000N (~300 kg); 3.50 m/2500N (~250 kg); (*)	2.00 m/1500N (~150 kg)
Opening angle	from -10° to +110°	from -10° to +110°
Leaf rotation speed	4.3°/sec. (~28 sec/120°)	8.6°/sec. (~14 sec/120°)
Impact reaction	electric clutch on control panel	electric clutch on control panel
Type of lock	mechanical	mechanical
Manual manoeuvre	release key	release key
Max no. manoeuvres in 24 hours	100	100
Environment conditions	from -20°C to + 50°C	from -20°C to + 50°C
Degree of protection	IP 67	IP 67
Operators weight	100N (~10 kg)	100N (~10 kg)
Dimensions	see drawing	see drawing

(*) For system layout and installation conditions, refer to the standards in force in the country of installation.

Underground electromechanical operator for swing gates, leaf length up to 3,5 m, leaf weight up to 300 kg, residential use

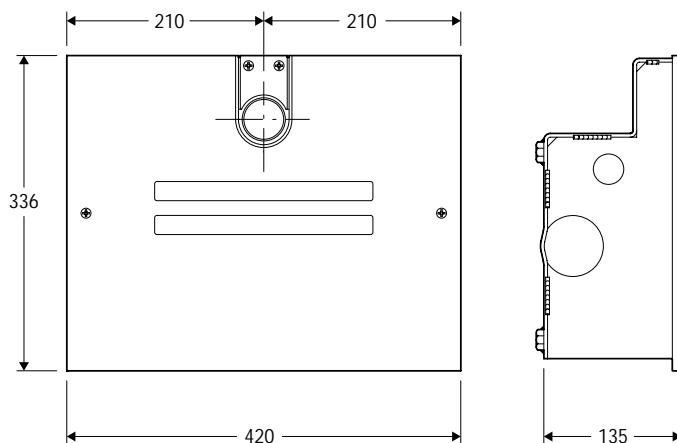


Example of installation

Dimensions

M electromechanical operators ELI 250
 C universal foundation case for ELI 250, BTCF120
 Q control panel Altair with incorporated rolling-code clonable receiver
 T double-channel rolling-code transmitter, Mitto 2 12V
 Ftx-Frx Pair of photocells, Cellula 130
 CF Pair of posts, CC130
 AL blinker with antenna
 S key selector, Intro

• For system layout and installation conditions, refer to the standards and laws in force in the country of installation.



Main characteristics

Irreversible type underground electromechanical operator for residential use, for the automation of swing leaf gates • ELI 250 is provided with a bearing foundation case (BTCF120) • levers for openings from -10° to 120° • mechanical end-of-stroke devices on opening and closing • electric torque limiter on control panel • key release • recommended control panel: ALTAIR • Main specifications: supply $230\text{ V} \pm 10\%$, 50Hz • power 280W • leaf speed from 4.3 degrees/sec to 8.6 degrees/sec • maximum torque 380Nm (ELI 250) or 250Nm (ELI 250-V) • max leaf weight 3000N (~300 kg) • max leaf length 3500mm.

