

IGEA

IGEA P935065 00002



Recommended control panel
ALTAIR

Available as a kit:
KIT IGEA

- Great versatility and flexibility of installation with IGEA.
- Its compact shape and articulated arm, with its special anti-shearing shape, enable installations even on pillars of remarkable size.
- The irreversible operator keeps the gate locked on closing and on opening.
- Adjustable limit microswitches and capacitor built in and connected to the operator.
- Galvanized and painted levers



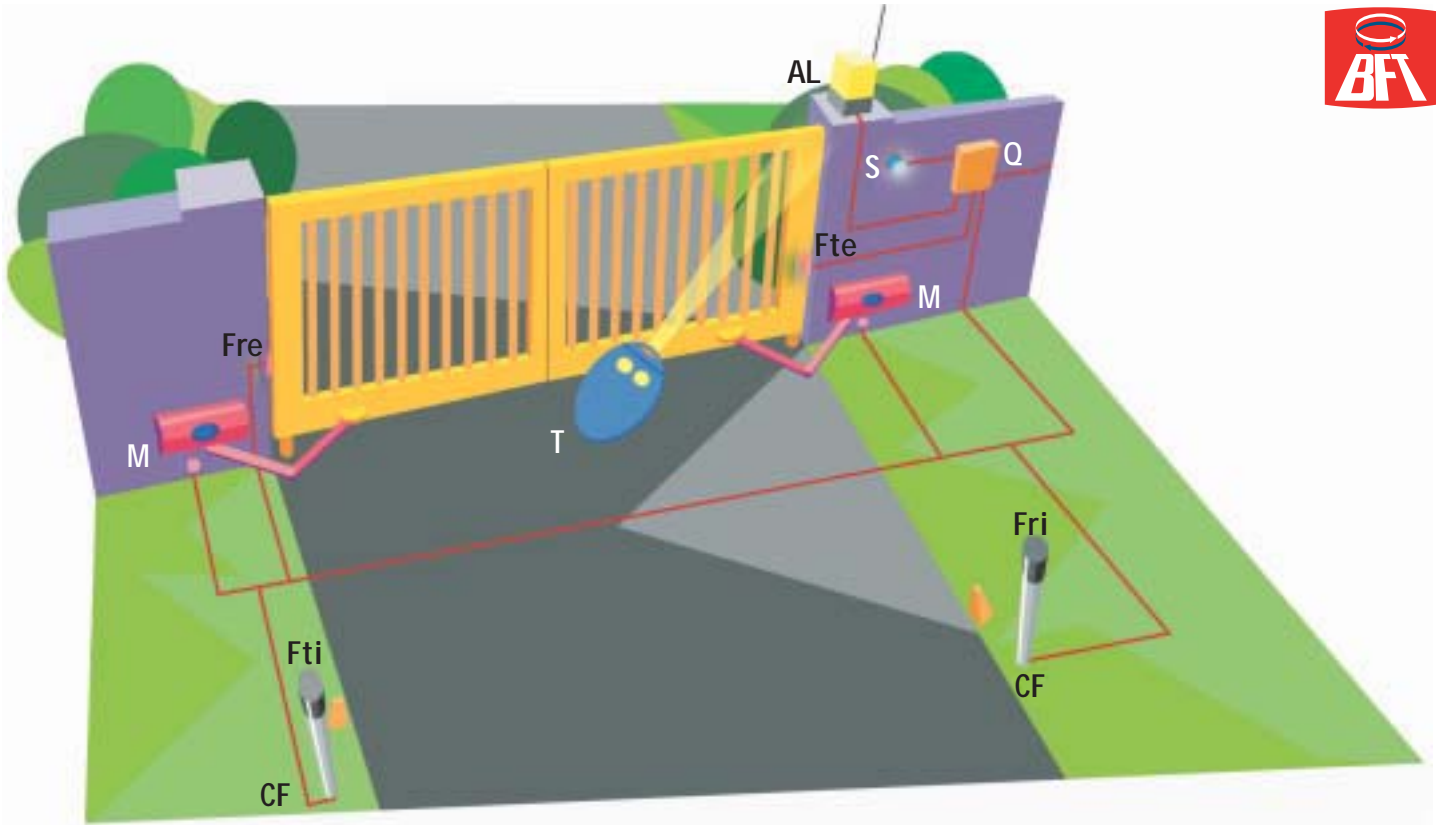
Operator

IGEA

Power supply	230V ~ ±10%, 50 Hz
Absorbed power	300W
Thermal protection	Integrated
Max leaf length/weight	2,5 m/2000N (~200 kg)
Leaf rotation speed	4,9°/sec
Impact reaction	torque limiter integrated in the control panel
Manual manoeuvre	release knob with personalised key
N° manoeuvres in 24 hours	100
Environmental conditions	from -15 to + 60C°
Degree of protection	IP 44
Operator weight	160 N (~16 kg)
Dimensions	see drawing



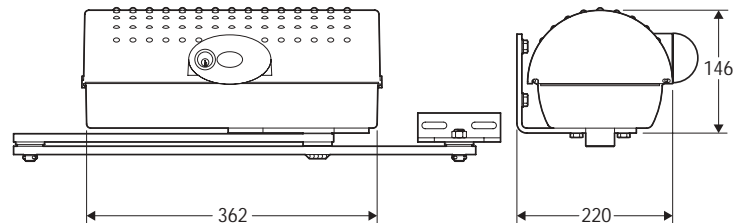
Electromechanical operator for swing gates, leaf length up to 2,5 m, leaf weight up to 250 kg, residential use



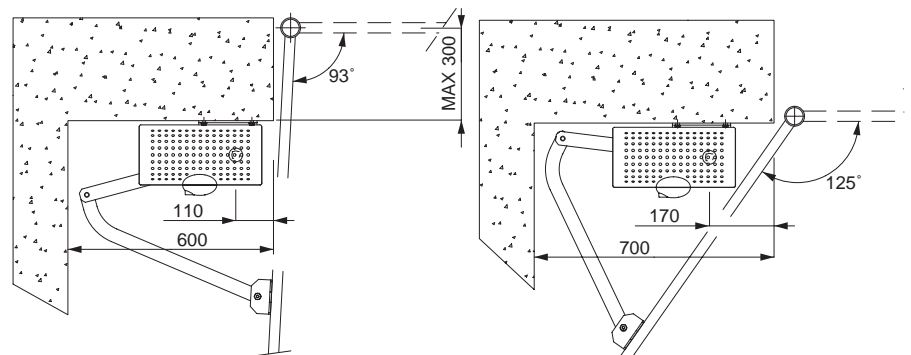
Example of installation

Dimensions

M electromechanical self locking operators, IGEA
 Q control board Altair
 with built-in rolling code clonable receiver
 T double-channel rolling-code transmitter, Mitto 2 12V
 Ftx-Frx Pair of photocells, Cellula130
 CF Pair of posts, CC130
 AL blinker with antenna
 S key selector, Intro



• For system layout and installation conditions, refer to the standards and laws in force in the country of installation.



Main characteristics

Irreversible type electromechanical operator for the automation of swing leaf gates for residential use • IGEA is provided with an articulated arm, electric torque limiter on the control panel, limit devices on opening and closing, release knob • recommended control panel: ALTAIR • Main specifications: supply 230V $\pm 10\%$, 50 Hz • power 300W • leaf speed 4.9 degrees/sec • maximum torque 320Nm • max leaf weight 2500N (~250 kg) • max leaf length 2500mm.