

MOOVI

MOOVI 30 P940026 00002
 MOOVI 50 P940028 00002
 MOOVI 30 RMM P940027 00002
 MOOVI 50 RMM P940029 00002
 MOOVI 30S P940030 00002

Incorporated control panel:
 ALPHA-BOM ou LEO MV



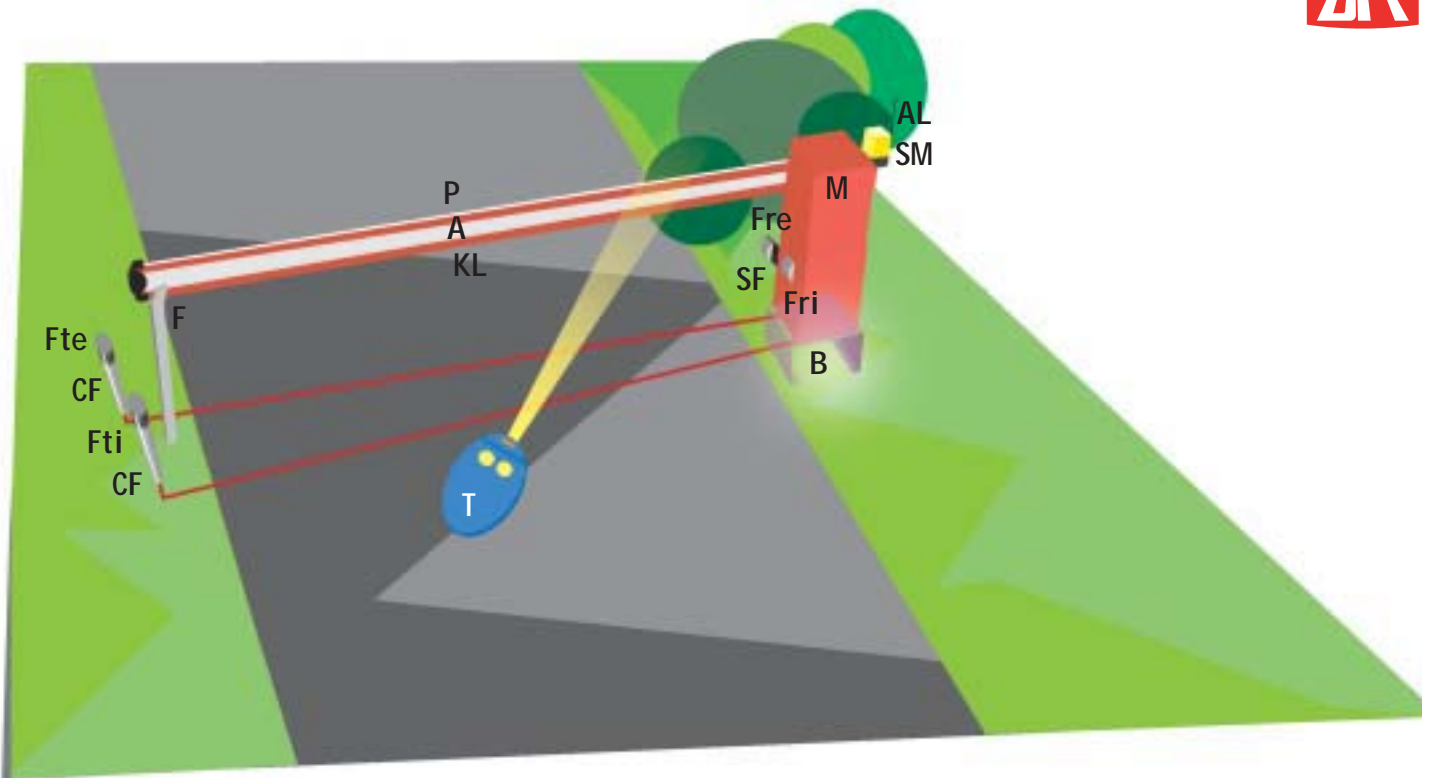
- **Safe, efficient and reliable**, the MOOVI electromechanical barrier for intensive use is suitable for closing off private areas and car parks.
- Compact and self-cooling MOOVI is provided with **fast release by means of a personalised key** in case of emergency.
- **Control panel incorporated**, MOOVI is available in medium and high-speed versions in relation to its boom length
- **Slowdown during opening and closing** (Mod. MOOVI 30S et MOOVI 30/50 RMM)
- Highly corrosion-resistant frame ready for fitting with accessories.
- **New design and wide range of accessories.**
- **Galvanized and painted casing**



Operators	MOOVI 30	MOOVI 50
Single-phase power supply	230V~ ± 10%, 50 Hz	230V~ ± 10%, 50 Hz
Absorbed power	300W	300W
Thermal protection	integrated	integrated
Max leaf length	3 m	5 m
Opening/closing time	4 s	8 s
Type of lock	mechanical closing/opening	mechanical closing/opening
Manual manoeuvre	fast release by means of a personalised key	fast release by means of a personalised key
Type of limit switches	electric, incorporated, adjustable	electric, incorporated, adjustable
Control unit	ALPHA BOM	ALPHA BOM
Environmental conditions	-10°C à +55°C	-10°C à +55°C
Degree of protection	IP 24	IP 24
Operator weight without the rod	360N (~36 kg)	360N (~36 kg)
Dimensions	See drawing	See drawing

Operators	MOOVI 30S	MOOVI 30/50 RMM
Single-phase power supply	230V~ ± 10%, 50 Hz	230V~ ± 10%, 50 Hz
Absorbed power	300W	300W
Thermal protection	integrated	integrated
Max leaf length	3 m	3 m(MOOVI 30); 5m (MOOVI50)
Opening/closing time	1,5 s + slow down	4 s (MOOVI 30); 8 s (MOOVI50)
Type of lock	mechanical closing/opening	mechanical closing/opening
Manual manoeuvre	fast release by means of a personalised key	fast release by means of a personalised key
Type of limit switches	electric, incorporated, adjustable	electric, incorporated, adjustable
Control unit	LEO MV (ric. rolling code 64 cod incorp.)	LEO MV (ric. rolling code 64 cod incorp.)
Environmental conditions	-10°C à +55°C	-10°C à +55°C
Degree of protection	IP 24	IP 24
Operator weight without the rod	360N (~36 kg)	360N (~36 kg)
Slow down	Adjustment	Adjustment
Control	by encoder	by encoder
Dimensions	See drawing	See drawing

Electromechanical operator for road barriers, with boom length up to 5 m

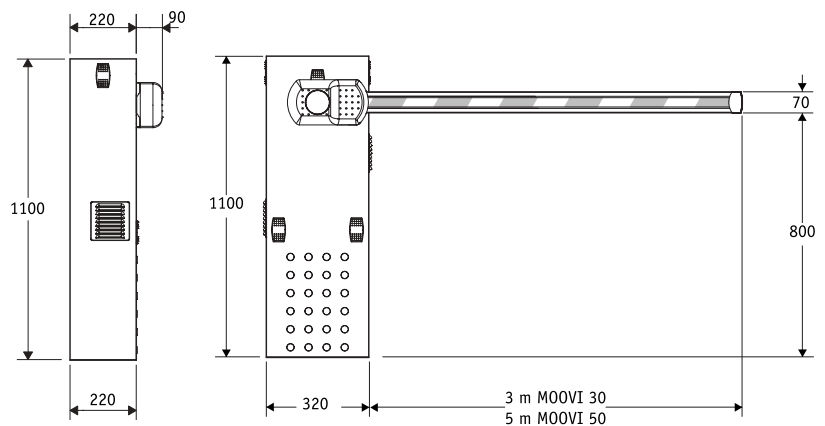


Example of installation

Dimensions

- M operator MOOVI 30 with built-in control panel and rolling code receiver
- A boom ELL 3
- B anchor base CBO
- F support fork FAF
- T double-channel rolling code transmitter, MITTO 2 12V
- Ftx-Frx pair of photocells CELLULA130
- SF external photocell post kit KIT MOOVI 130
- CF posts, CC130
- AL blinker with antenna
- SM Wall-mounted support for blinkers SLM2
- KL lighting kit for 3 or 4.5 m booms KIT MOOVI LIGHT
- P Boom upper and lower profile casing MOOVI PCA

• For system layout and installation conditions, refer to the standards and laws in force in the country of installation.



Main characteristics

Electromechanical barrier • incorporated ALPHA-BOM or LEO MV 4 (30S e RMM models) control panel • various types of accessories, such as skirts, safety edges, lights, rest rods, can be mounted on the boom • supply 230V ± 10% 50Hz • power 300W • Models available: MOOVI 30 with opening speed 4 s. max boom length 3m, MOOVI 50 with opening speed 8 s. max boom length 5m, MOOVI 30S with opening speed 1,5 sec. max boom length 3m, adjustable slow down, encoder safety device, MOOVI 30 RMM with opening speed 4 sec. max boom length 3m, adjustable slow down, encoder safety device, suitable to be connected to a loop detector device, MOOVI 50 RMM with opening speed 8 sec. max boom length 5m, adjustable slow down, encoder safety device, suitable to be connected to a loop detector device.