

# P7-P4,5

P7 P935060 00001  
P4,5 P935061 00001

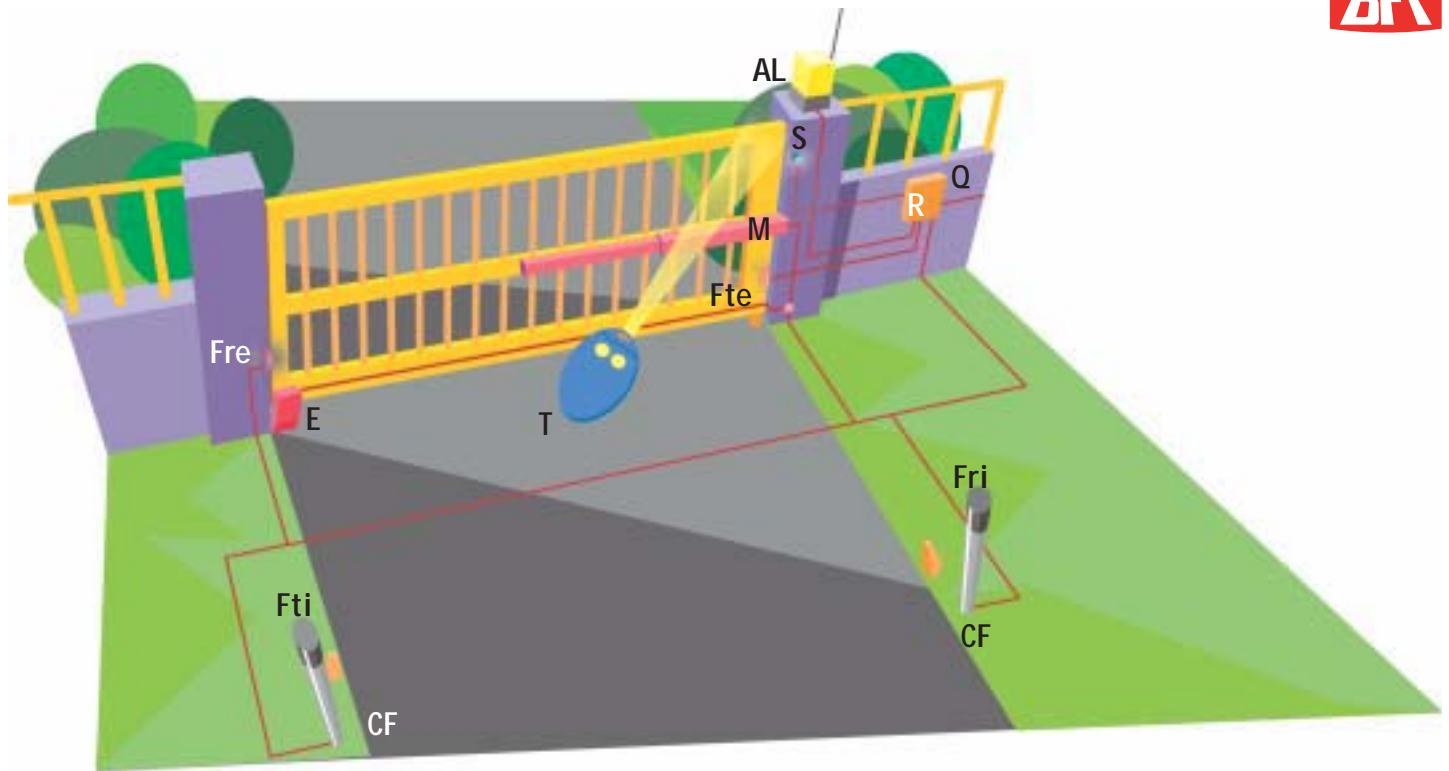
Recommended control panel:  
ALCOR SD

- **Compact line and resistance** to intensive use are offered by the reversible hydraulic operators P7 and P 4.5, suitable for the automation of large-sized gates.
- **Antisquash safety** guaranteed by two by-pass valves which regulate the force on opening and on closing.
- Both versions are provided with a **slow-down device on closing**.
- **Easy manual release**.



Operators	P7	P4,5
Single-phase power supply	230V ± 10%, 50 Hz	230V ± 10%, 50 Hz
Absorbed power	250W	250 W
Thermal protection	integrated	integrated
Max leaf weight	5000N(-500kg)	5000N(-500kg)
Leaf length	7 m	4,5 m
Rod working stroke	390 mm	390 mm
Rod speed	8,3 mm/s	14 mm/s
Opening time	45 s	30 s
Closing time	42s + slow down	28s + slow down
Slow down	hydraulic on closing	hydraulic on closing
Slow-down stroke	20 mm	20 mm
Impact reaction	hydraulic clutch	hydraulic clutch
Type of lock	electric lock	electric lock
Manual manoeuvre	reversible + release knob	reversible + release knob
N° manoeuvres in 24 hours	500	500
Environmental conditions	from -10°C to +60°C	from -10°C to +60°C
Degree of protection	IP55	IP55
Operator weight	122,5N (-12,25kg)	122,5N (-12,25 kg)
Dimensions	see drawing	see drawing

# Hydraulic operator for swing gates, leaf length up to 7 m, weight up to 500 kg, apartment-block and industrial use

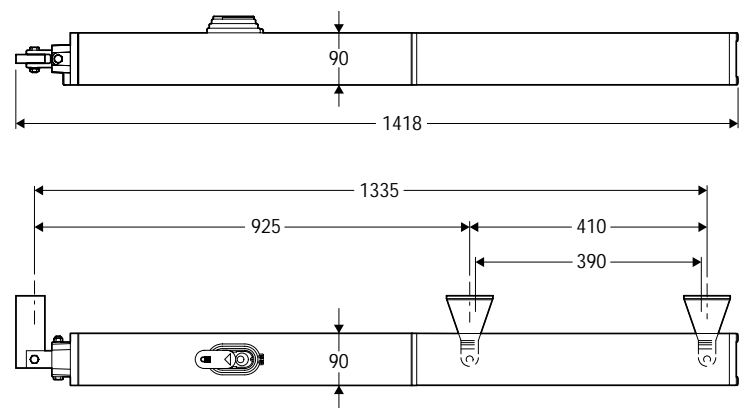


## Example of installation

- M hydraulic operator P4,5 or P7
- Q control panel ALCOR SD
- R single-channel rolling-code receiver, suitable for Mitto transmitter
- T double-channel rolling-code transmitter Mitto 2 12V
- E electric lock EBP
- Ftx-Frx Pair of photocells Cellula130
- CF Pair of posts CC130
- AL blinker with antenna
- S key selector, Intro

• For system layout and installation conditions, refer to the standards and laws in force in the country of installation.

## Dimensions



## Main characteristics

Reversible type hydraulic operator for the automation of swing leaf gates for apartment-block and industrial use • slow-down function on closing • hydraulic torque limiter • personalised key release • recommended control panel: ALCOR SD • Main specifications: supply 230V ± 10% 50Hz • power 250W • rod speed from 14mm/sec to 8.3mm/sec • rod stroke 390mm • maximum torque 8000Nm • max leaf weight 5000N (~500 kg) • max leaf length from 4500mm to 7000mm

