



PHEBE P915134 00002  
PHEBE SQ P915135 00002



Incorporated control board:  
HYDRA R

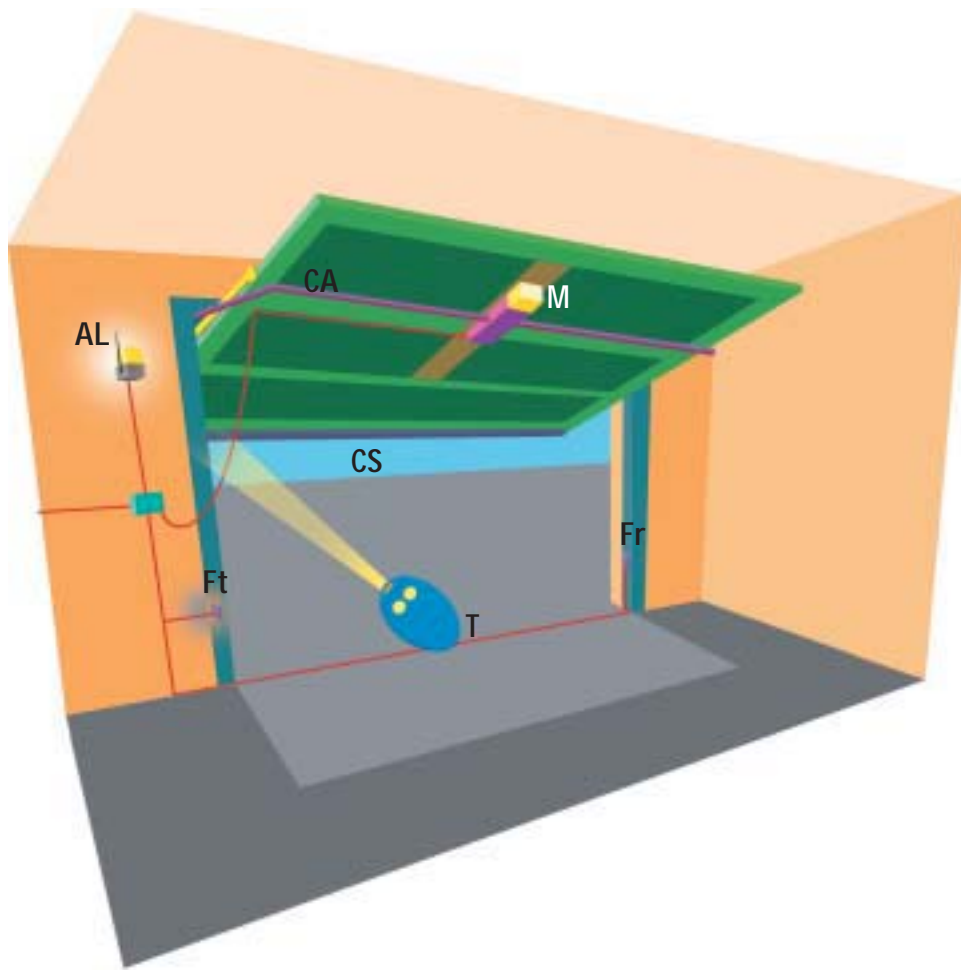
# PHEBE

- **New design and great versatility of operation** with PHEBE, the irreversible operator for counterweight overhead doors.
- Manual door opening which can be easily activated from the inside by means of the **release knob**.
- **Electric limit switches** stop the door with extreme precision, both on closing and on opening.
- The **electronic torque limiter** allows regulation of the minimum force needed to move the door.
- The **incorporated control board** can manage one or two operators.
- **Incorporated rolling-code receiver with 63 codes, which can be cloned.**
- **Courtesy light.**
- **Operation in case of power supply** failure is guaranteed by a battery back up unit (BT BAT) which can be supplied on request.
- **Maximum safety guaranteed by the antisquash system** which inverts the direction in case of obstacles in opening and closing.



Operator	PHEBE
Single-phase power supply	230V~ ± 10%, 50 Hz
Motor supply	24Vdc
Absorbed power	125 W
Max door size	7 sqm (1 operator); 10 sq m (2 operators)
Manoeuvre time	17÷20 sec
Speed	11°/sec
Limit switches	electric, incorporated and adjustable
Impact reaction	electronic torque limiter integrated in the panel
Manual manoeuvre	knob release
No. manoeuvres in 24 hours	60
Control unit	HYDRA R
Degree of protection	IP 30 (IP 44 on request)
Operator weight	100 N (~10 kg)
Dimensions	see drawing

# Electromechanical operator for counterweight overhead doors for residential use

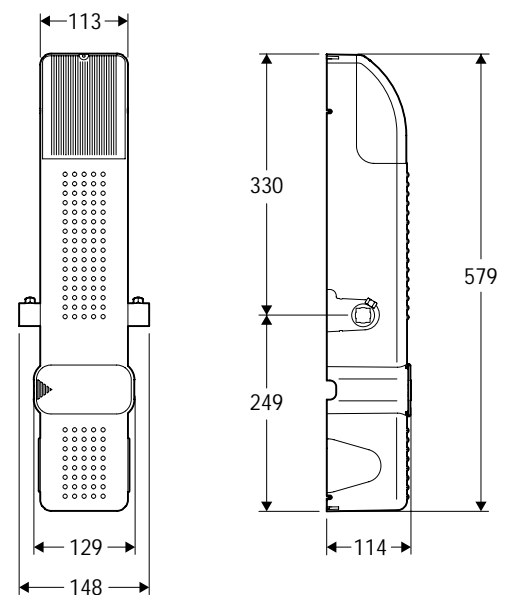


## Example of installation

M operator PHEBE with control board HYDRA R and incorporated rolling-code receiver with 63 codes  
 CA Set of telescopic arms, CBA  
 T double-channel rolling-code transmitter, Mitto 2 12V  
 Ft-Fr Pair of photocells, Cellula 130  
 AL blinker 24V with antenna  
 CS safety edge  
 CA Set of tubes + base CTBA

• For system layout and installation conditions, refer to the standards and laws in force in the country of installation.

## Dimensions



## Main characteristics

Irreversible type electromechanical operator for the automation of counterweight overhead doors for residential use • PHEBE is provided with a HYDRA R control board • release knob • electronic torque limiter in the control board • limit switches on opening and closing • 20x20 output shaft with through wire • back up battery kit (optional) • integrated double-channel rolling-code receiver with 63 codes clonable • Main specifications: supply 230V  $\pm$  10% 50Hz • motor voltage 24Vdc • power 70W • torque 300Nm • speed 11°/sec • max. door surface area 7 sq m (1 actuator), 10 sq m (2 operators)