



PHOBOS BT P935066 00002



Recommended control panel:  
LIBRA MA R

Available as a kit:  
PHOBOS BT KIT

# PHOBOS BT

- The **low voltage safety** and the new design of PHOBOS BT make of it the ideal irreversible gearmotor for residential swing gates.
- **Magnetic limit switches** adjust the door opening and closing movements.
- **Maximum anti-squash safety** guaranteed by a special electronic device, adjustable for each motor, and inverts the direction in case of obstacles in opening and closing.
- **Operation in case of power supply failure** is guaranteed by a battery back up unit (BT BAT) which can be supplied on request.

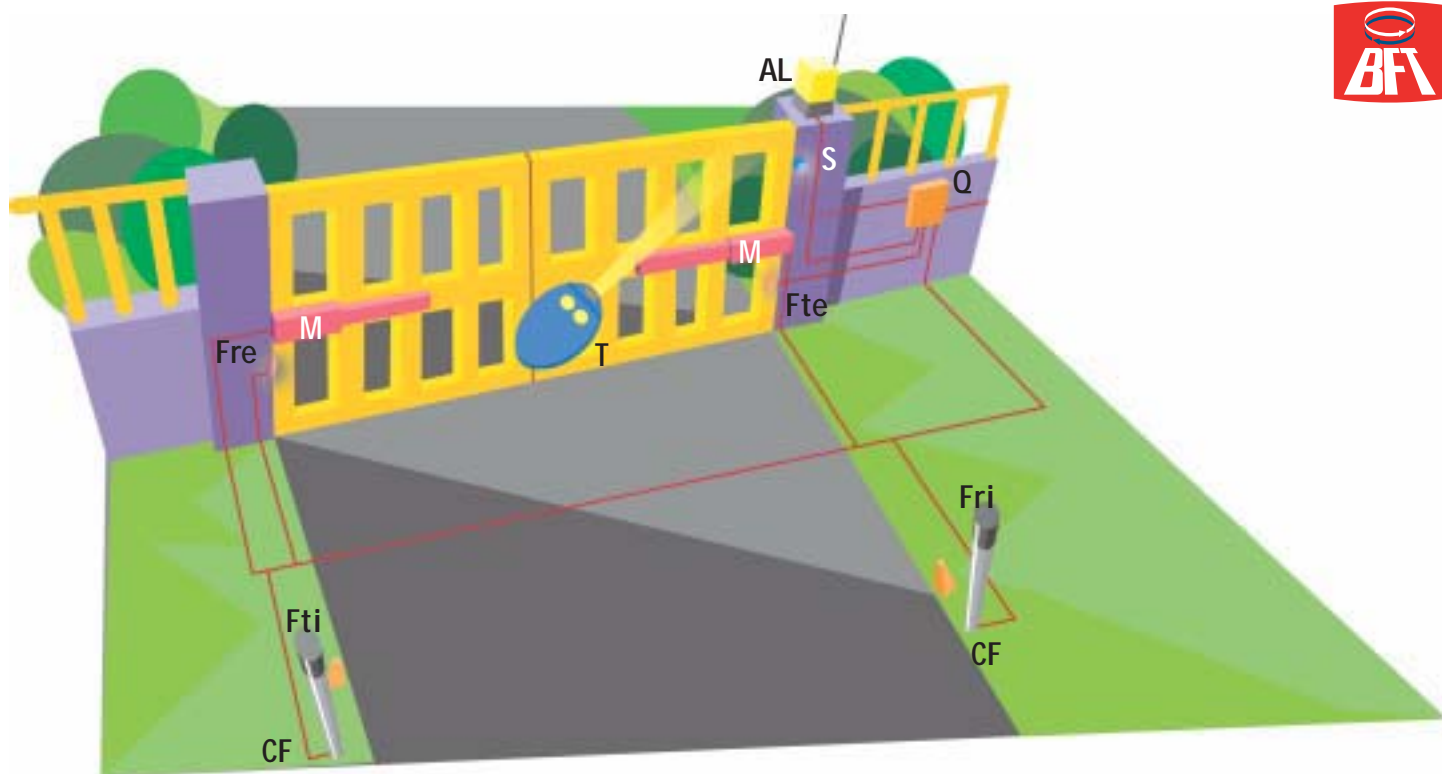


CPH: optional rod cover

Operator	PHOBOS BT
Power supply	24 Vdc
Absorbed power	40 W
Max. leaf weight	2500 N (~250 kg)
Max. leaf length	1,80 m
Working stroke	280 mm
Rod speed	~14 mm/sec
Opening and closing time	20 sec
Impact reaction	torque limiter on control panel
Type of lock	mechanical on closing and opening
Manual manoeuvre	release key
N° manoeuvres in 24 hours	60
Environmental conditions	from -20°C to + 60°C
Degree of protection	IP 44
Operator weight	50N (~5 kg)
Dimensions	see drawing



# Electromechanical operator for swing gates, leaf length up to 1,80 m, leaf weight up to 250 kg, residential use

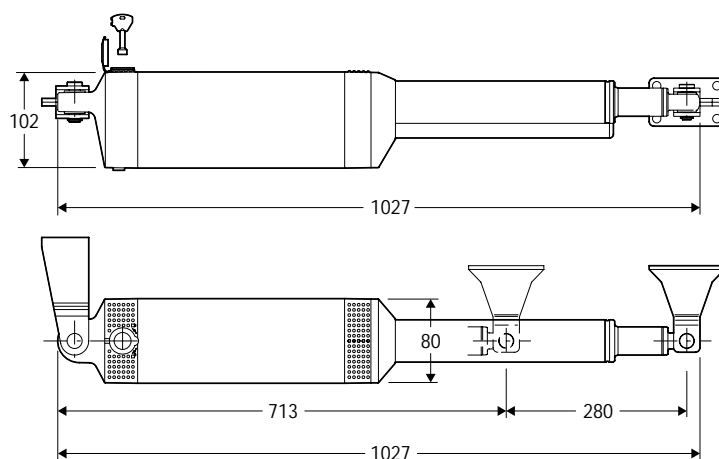


## Example of installation

M irreversible electromechanical operator PHOBOS BT  
Q Control board LIBRA MA R  
with built-in rolling code receiver, 64 codes  
T double-channel rolling code transmitter, Mitto 2 12V  
Ftx-Frx Pair of photocells, Cellula 130  
CF Pair of posts, CC 130  
AL blinker 24V with antenna  
S key selector, Intro

• For system layout and installation conditions, refer to the standards and laws in force in the country of installation.

## Dimensions



## Main characteristics

Irreversible type electromechanical operator for the automation of swing leaf gates for residential use • PHOBOS BT is provided with a worm screw fully protected by an aluminium cylinder • electric torque limiter on the control panel • key release • limit devices on opening and closing • Buck-up battery kit (optional) • recommended control panel: LIBRA MA R model • Adjustable slow down on closing and opening (LIBRA MA R version) • Main specifications: motor supply 24Vdc • power 40W • rod speed 14mm/sec • rod stroke 280mm • maximum torque 2000Nm • max leaf weight 2500N • max leaf length 1800mm.

