

PHOBOS L

PHOBOS L P935073 00002



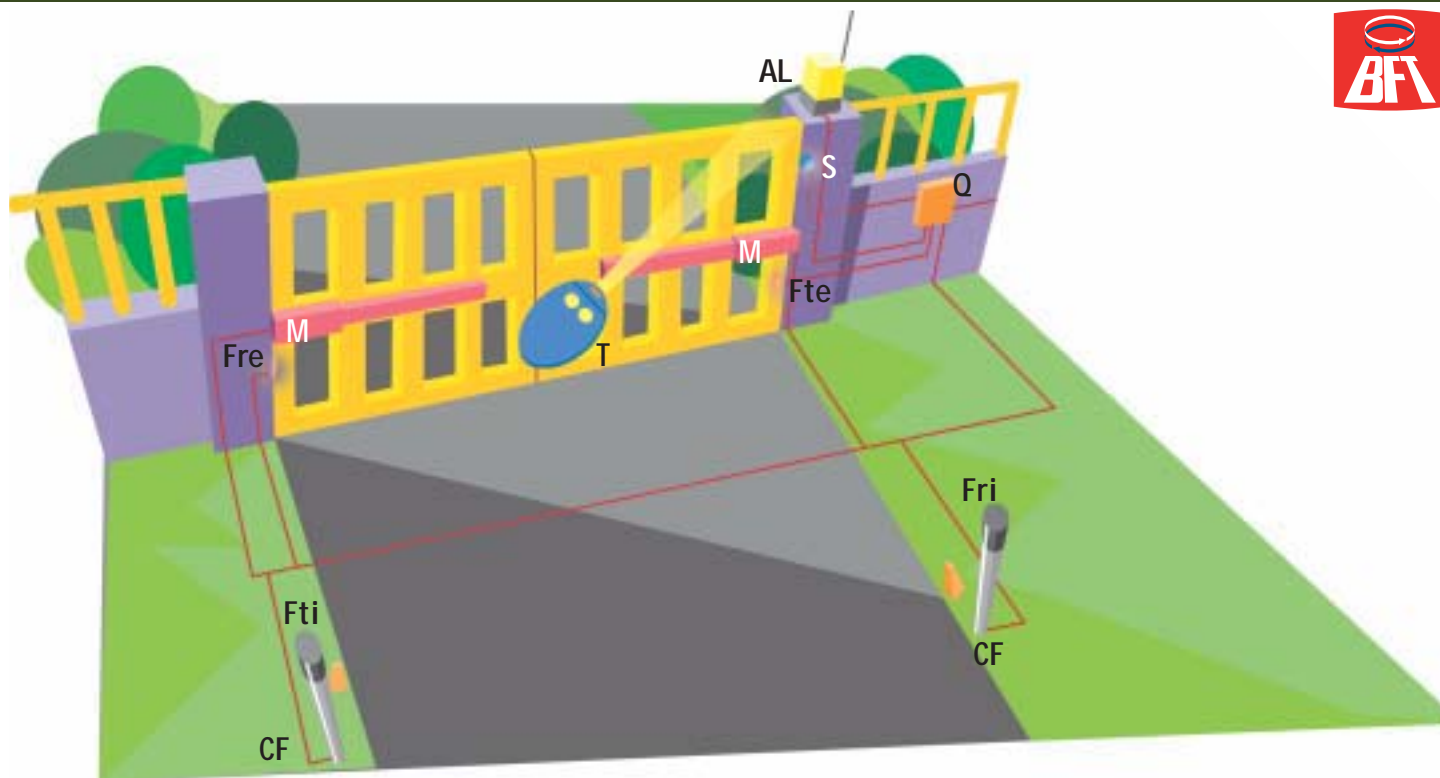
Recommended control panel
ALTAIR

- Easy to install and new PHOBOS design, irreversible operator
- Safe and simplified release manoeuvre, with BFT key.
- Long piston stroke to drive very long swing gates.
- Residential use.
- Adjustable fixing bracket - Model SFR L (optional).



Operator	PHOBOS L
Single-phase power supply	230 V~ ±10%, 50Hz
Absorbed power	210 W
Thermal protection	integrated
Max. leaf weight	2500 N (~250 kg)
Max. leaf length	5 m (with electric lock), 3 m (without electric lock)
Rod working stroke	458 mm
Rod speed	13 mm/sec
Impact reaction	Electronic clutch on control panel
Manual manoeuvre	Release key CLS
No. manoeuvres in 24 hours	60
Environmental conditions	from -10°C to +50°C
Degree of protection	IP X4
Operator weight	77N (~7,7 kg)
Dimensions	see figure

Electromechanical operator for swing gates, leaf length up to 5 m, leaf weight up to 250 kg, residential use

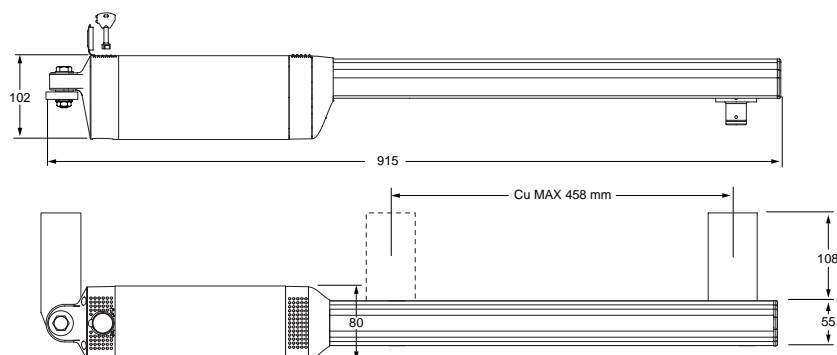


Example of installation

M irreversible electromechanical operator PHOBOS L
 Q control panel, ALTAIR
 with incorporated rolling-code receiver
 T double-channel rolling-code transmitter, MITTO 2 12V
 Ftx-Frx pair of photocells CELLULA130
 CF pair of posts CC130
 AL blinker with antenna
 S key selector INTRO

• For system layout and installation conditions, refer to the standards and laws in force in the country of installation.

Dimensions



Main characteristics

Irreversible type electromechanical operator for the automation of swing leaf gates for residential use • electric torque limiter on the control panel • key release • recommended control panel: ALTAIR model • Main specifications: supply 230 V ± 10%, 50Hz • power 210W • rod speed 13mm/sec • rod stroke 458mm • maximum thrust 2000N • max leaf weight 2500N • max leaf length 5000mm (with electric lock)