



# URANO BT

URANO BT P926180 00001



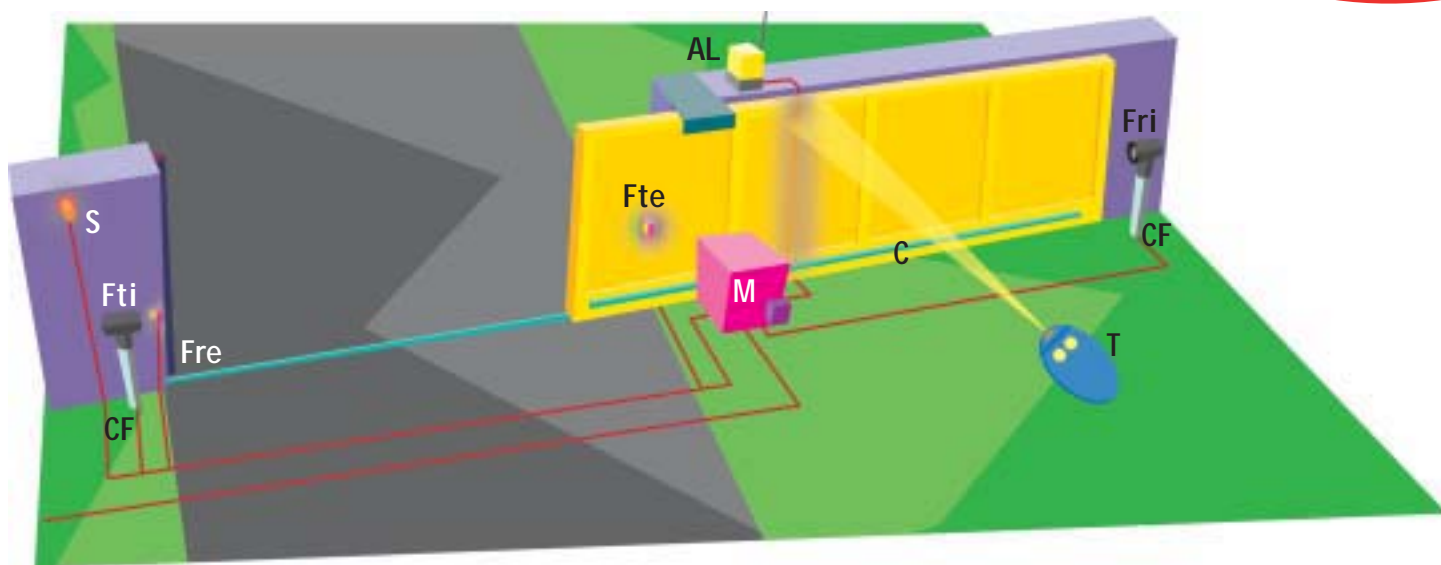
Incorporated control board:  
QSC-D MA

- **Maximum performance** and continuous service offered by URANO BT irreversible gearmotor.
- **Emergency manual operation** possible thanks to an ergonomic handle with personalised key.
- **Maximum safety against crushing** thanks to the adjustable electronic torque limiter.
- **Diagnostic and statistical functions** through the display.
- **Rolling code receiver** and 64 codes inside the control board.
- **Design and practicality:** great aesthetic innovation and improved guard solidity.
- **Control panel prearranged for the EELink protocol.**
- **Travel stop controlled by electromechanical micro-switches.**
- **Immediate reversal in case of impact.**
- **In case of power supply failure,** operation is guaranteed by a back up battery unit (BT BAT 2) inside the motor casing. Supplied upon request.
- **Available in the inductive limit switch version** (by using the FCM KIT).



Operator	URANO BT
Single-phase power supply	230V~ ± 10%, 50 Hz
Motor	24 Vdc
Absorbed power	80 W
Max. leaf weight	12000 N (~1200 kg)
Output revolutions	39 min <sup>-1</sup>
Pinion pitch	4mm (18 teeth)
Leaf speed	9 m/min
Impact reaction	electronic torque limiter
Manual manoeuvre	mechanical knob release with personalised key
No. manoeuvres in 24 hours	120
Control panel	QSC D MA
Type of limit device	electromechanical or inductive
Environmental conditions	from -15°C to +60°C
Degree of protection	IP24
Operator weight	200 N (~20 kg)
Dimensions	see drawing

# Automation for rack sliding gates weighing up to 2000 kg, apartment-block and industrial use

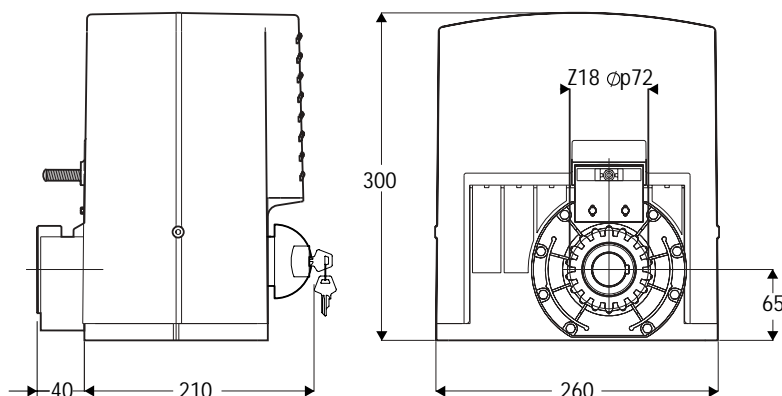


## Example of installation

## Dimensions

- M operator URANO BT with built-in control panel and rolling code receiver
- T double-channel rolling code transmitter, Mitto 2 12V
- Fte-Fre Pair of photocells, Cellula 130
- Fti-Fri Pair of photocells Cellula 50
- CF Pair of photocell posts, CC50
- AL blinker 24V with antenna
- S key selector, Intro
- C rack in galvanised iron, CFZ
- CS safety edge

• For system layout and installation conditions, refer to the standards and laws in force in the country of installation



## Main characteristics

Irreversible type electromechanical operator for the automation of sliding gates for apartment-block and industrial use •URANO BT is provided with a control board placed at the front of the motor • electronic torque limiter • back up battery kit (optional) • setting with display

- integrated rolling-code receiver • self-diagnosis function and centralised command option • funzione autosest

• Main specifications: supply 230V- ± 10%, 50 Hz • motor 24V • power 80W • leaf speed 9m/min • max leaf weight 12000N (~1200 kg).